



# MET ONE 7000 Series Remote Airborne Particle Counters

Highest accuracy non-viable particle monitoring for EC/FDA compliance

**MET ONE 7000 SERIES**  
REMOTE AIRBORNE PARTICLE COUNTERS

# The MET ONE 7000 remote the most accurate counter and sterile pharm

## **Enhanced accuracy**

*ISO 21501 certified calibration  
provides data accuracy and repeatability*

## **Built-in user notification**

*For particle monitoring events  
enables instant troubleshooting*

## **System integration**

*Integrates to any FMS system  
with flexible communication options*



# Remote airborne particle counters provide continuous monitoring for the aseptic pharmaceutical production environments



## ***Protected sensor***

*VHP tolerant optics, washdown resistant enclosure protects from accidental exposure to harmful disinfecting chemicals*

## ***Lowest cost of ownership***

*Proven reliable Long Life Laser™ diode*

## ***Reduced calibration time***

*Quick connect feature reduces time and cost of routine calibration*

MET ONE 7000 remote particle counters are designed using patented technology to comply with new ISO 21501 calibration requirements that ensure measuring 0.3 µm to 10.0 µm particles with accuracy and repeatability. With flexible communication and OPC server options, the MET ONE 7000 easily integrates to any Facility Monitoring System. Built-in indication lights notify users of particle events such as reaching an alarm or alert level, eliminating the need to install additional hardware in the sterile environment.

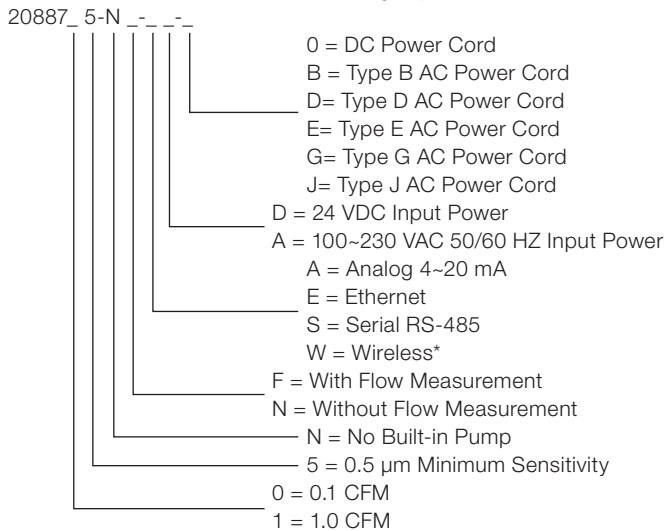
Specially selected optical component materials and effectively sealed 316L stainless-steel enclosure make the MET ONE 7000 tolerant to typical VHP based disinfecting cycles and washdown processes used in cleanrooms. Features such as DIP switches for address setting, quick-connect cables and tubing reduce instrument removal and reinstallation time during routine calibration and maintenance work. Built with Long Life Laser™ technology and supported by dependable after sales support from Hach, the MET ONE 7000 minimizes cost of ownership and offers unparalleled user experience in product quality and reliability.

## Specifications

<i>Light Source</i>	Long Life Laser™ diode
<i>Weight</i>	AC version: 3.96 kg (8.7 lbs) DC version: 3.91 kg (8.6 lbs)
<i>Dimensions</i>	22.9 W x 12.5 D x 16.0 H cm (9.02 x 4.92 x 6.3 inches)
<i>Enclosure</i>	316L stainless-steel sealed enclosure with sealed connectors suitable for washdown area
<i>Status Indicator</i>	Multi-colored LED for normal status, count alarm, count alert, sensor failure, flow failure or communication failure
<i>Power Requirements</i>	24 VDC ±10% or 100 to 230 VAC 50/60 Hz
<i>Power Consumption</i>	Ethernet unit: 6.9 W for DC, 8.9 W for AC maximum Serial unit: 5.9 W for DC, 7.6 W for AC maximum Analog unit: 6.1 W for DC, 7.9 W for AC maximum Wireless unit: 9.7 W DC, 12.5 W AC maximum
<i>Operating Temperature</i>	10 to 32 °C (50 to 90 °F), 5 to 95% relative humidity, non-condensing
<i>Storage Temperature</i>	-40 to 70 °C (-40 to 158 °F), 5 to 98% relative humidity, non-condensing
<i>Signal Output Options</i>	Ethernet or Wireless with TCP/IP protocol Serial RS-485 with Modbus RTU or FXB communication protocol Analog 4–20 mA
<i>Vacuum Requirements</i>	At least 40.6 cm (16 inches) Hg
<i>Number of Size Channels</i>	Standard 2 or Optional 4
<i>Flow Control</i>	Through critical orifice
<i>Isolation Valve</i>	Built-in solenoid valve
<i>Coincidence Loss</i>	Model 7005: 5% at 2,000,000 particles/ft <sup>3</sup> (70,600,000 particles/m <sup>3</sup> ) Model 7015: 5% at 400, 000 particle/ft <sup>3</sup> (14,000,000 particles/m <sup>3</sup> )

*False Count Rate* One or less in five minutes  
*Accessories Included* Mounting Plate, Isokinetic Probe, Wall Plate, Connector Umbilical Cables and Tubing, Operator Manual

### How To Order



### Optional Accessories

Optional 4-Channel Setting  
Purge Filters, 1.0 CFM 1/4 Tube and 0.1 CFM 1/8 Tube  
Isokinetic Probes, 0.1 CFM and 1.0 CFM  
Cable, Service Port Connector with RS-232 Converter  
Relative Humidity/Temperature Probe  
Brackets, for RH/Temp Probe and LED Indicator Stack/Isokinetic Probe  
Remote Indicator Light Assembly  
Cable Assembly, 3 m for Remote Indicator Light Assembly  
Power Supply Unit, 24 VDC @ 5.0 A, Universal Input for FMS

For a comprehensive parts and accessories list, please refer to the user manual.

\* Wireless option is available in limited number of countries. Please contact your Hach sales representative.